

EUROPE FILTERS - Liquid Filter Systems

Bag Filter Housings

Single and multi-bag filter housings
in high quality stainless steel
Suitable for all commonly used filter bags
Flow rates max. 160m³/hr

Details page 3-10



Filter Bags

High quality needlefelt or nylon monofilament bags
Steel, zinc plated top collar ring
4 different sizes - max. 0.5 m² filter surface per bag
Suitable for all commonly used filter housings

Details page 11-12

Cartridge Filter Housings

Single and multi-cartridge filter housings
1 to 5 cartridges per housing (9³/₄" - 30" length)
High quality stainless steel and polypropylene
Suitable for all commonly used filter cartridges

Details page 13 -16



Filter Cartridges

Industrial filter cartridges
4 different types:
String wound, phenolic resin bonded, melt-blown,
extruded activated carbon
Sizes 9 ³/₄" to 40" length
Suitable for all commonly used filter housings

Details page 17 - 18

EUROPE FILTERS - Liquid Filter Systems

Bag Filter Housings

Wide range of stainless steel bag filter housings
Compatible with all types of commonly used filter bags
Filter housings containing 1-4 filter bags (max flow of 160m³/hr)
Economical stainless steel alternative to carbon steel housings guarantees years of consistent performance



SIE Side Inlet Economy

The economical series of light weight construction

[Page...4](#)



TOT Top Inlet

Over the top inlet highest quality and precision

[Page...6](#)



SIF Side Inlet Flow

Side inlet, high precision

[Page...5](#)

TIM Top Inlet Multibag

High flow rate with over the top inlet, multi-bag unit

[Page...7](#)



Various Accessories and Spare Parts

To optimize the filter operation

[Page...9/10](#)



SIP

For aggressive filter media, the perfect polypropylene filter

[Page...8](#)

EUROPE FILTERS - Liquid Filter Systems

Bag Filter Housings SIE-Series

The economical series of light weight construction

Throughput 6-40 m³/hr

Economic stainless steel housing that outlast carbon steel housings

For inline safety filtration and OEM applications

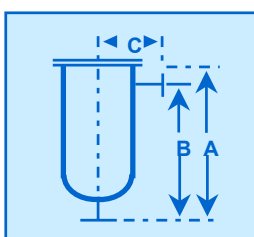
Easy to operate, V-clamp closure



EUROPE FILTERS
SIE-1-01/02-S-6

SIE-Series (20-40 m³/hr) material SS 316 - 1.4571

Bag size	Material	Max. work. pressure (bar)/temperature
01 and 02	S	6/120°C



	Size 01	Size 02
m ² /bag	0.25	0.5
m ³ /hour	20	40
Dimensions: A (in mm)	575	970
B	505	900
C	160	160
Connections: inlet / outlet	2" BSP	2" BSP
vent	1/4" BSP	1/4" BSP

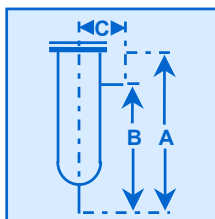
Spare Parts	Material
Restrainer basket	SS 316 mesh
V-clamp	SS 316
Gaskets	NBR, FPM, EPDM
Bag hold down ring	SS 316



EUROPE FILTERS
SIE-1-03/04-S-9

SIE-Series (6-12 m³/hr) material SS 316 - 1.4571

Bag size	Material	Max. work. pressure (bar)/temperature
03 and 04	S	9/ 120°C



	Size 03	Size 04
m ² /bag	0.09	0.18
m ³ /hour	6	12
Dimensions: A (in mm)	344	499
B	294	449
C	110	110
Connections: inlet / outlet	1 1/2" BSP	1 1/2" BSP
vent	1/4" BSP	1/4" BSP

Spare Parts	Material
Restrainer basket	SS 316 mesh
V-clamp	SS 316
Gaskets	NBR, FPM, EPDM
Bag hold down ring	SS 316

EUROPE FILTERS - Liquid Filter Systems

Bag Filter Housing SIF-Series

Side inlet, high precision

For heavy industrial and OEM applications for flow rates up to 40 m³/hr

Hinged lid SS 316 (1.4571) filter

Easy to operate and quick bag changes - 4 swing eye bolts

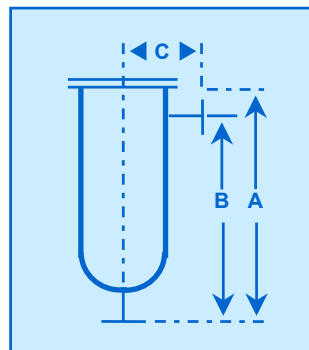
Easy to clean - smooth surface

SIF-Series (20-40 m³/hr) material SS 316 - 1.4571



EUROPE FILTERS SIF-1-01/02-S-10

Bag size	Material	Max. work. pressure (bar)/temperature
01 and 02	S	10/120°C



	Size 01	Size 02
m ² /bag	0.25	0.5
m ³ /hour	20	40
Dimensions: A (in mm)	575	970
B	495	890
C	220	220
Connections:		
inlet / outlet	2" BSP	2" BSP
vent	1/4" BSP	1/4" BSP

Spare Parts	Material
Restrainer basket	SS 316 mesh
Swing-eyebolt set	Steel / zinc plated
Gaskets	NBR, FPM, EPDM
Bag hold down ring	SS 316

EUROPE FILTERS - Liquid Filter Systems

Bag Filter Housing TOT-Series

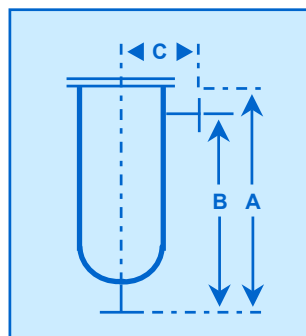
Over the top entry SS 316 housing highest quality and precision
 Low pressure drop
 No by-pass of particles with best filtration results
 Easy to operate and quick bag change - 4 swing eye bolts
 Easy to clean - smooth surface

TOT-Series (20-40 m³/hr) material SS 316 - 1.4571



EUROPE FILTERS TOT-1-01/02-S-10

Bag size	Material	Max. work. pressure (bar)/temperature
01 and 02	S	10/160°C



	Size 01	Size 02
m ² /bag	0.25	0.5
m ³ /hour	20	40
Dimensions: A (in mm)	441	836
B	331	726
C	307	307
Connections: inlet / outlet vent	DN 50/PN16 DIN 2633 1/4" BSP	DN 50/PN16 DIN 2633 1/4" BSP

Spare Parts	Material
Restrainer basket	SS 316 mesh
Swing-eyebolt sets	Steel / zinc plated
Gaskets	NBR, FPM, EPDM, FEP
Leg assembly	SS 304

EUROPE FILTERS - Liquid Filter Systems

Multi Bag Filter Housing TIM-Series

High flow rates up to 160 m³/hr with over the top inlet
 Split lid hinged SS 304 filter housing
 4 bags per housing in size 01 and 02
 For heavy industrial and OEM applications

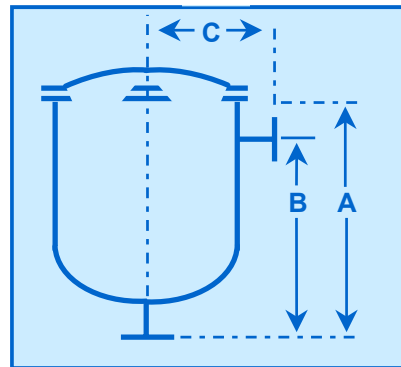
TIM-Series (80-160 m³/hr)

2 m² total surface area



EUROPE FILTERS TIM-4-01/02-E-6

Bag size	Material	Max. work. pressure (bar)/temperature
01 and 02	E	6/120°C



	Size 01	Size 02
m ² /bag	0.25	0.5
m ³ /hour	80	160
Dimensions: A (in mm)	474	874
B	246	622
C	355	355
Connections:		
inlet / outlet	DN 100 DIN 2633	DN 125 DIN 2633
vent	1/4" BSP	1/4" BSP

Spare Parts	Material
Restrainer basket	SS 316 mesh
Swing-eyebolt set	Steel / zinc plated
Gaskets	NBR, FPM , EPDM

EUROPE FILTERS - Liquid Filter Systems

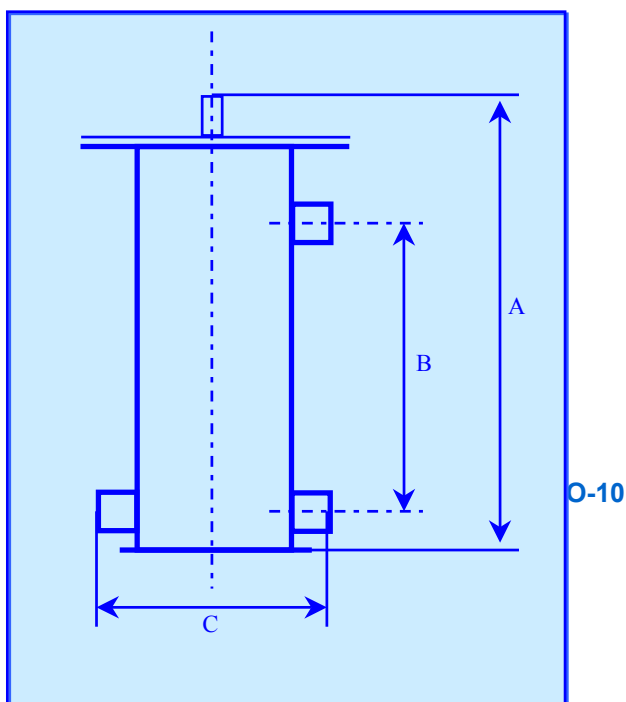
Bag Filter Housing SIP-Series

The perfect polypropylene housing, 100% glass filled polypropylene
 For aggressive filter media where SS cannot be used
 Max. working pressure 10 bar at 21°C working temperature
 Easy to operate and quick bag changes

SIP-Series (20-40 m³/hr) Polypropylene



No. of bags	Bag size	Material	Max. work. pressure (bar)
1	01 and 02	PO	10



	Size 01	Size 02
m ² /bag	0.25	0.5
m ³ /hour	20	40
Dimensions: A (in mm)	815	1221
B	527	933
C	165	165
Connections:		
inlet / outlet	2" BSP	2" BSP
drain	2" BSP	2" BSP

Spare Parts
 Restrainer basket
 Bag hold down
 Gaskets
 Cartridge-adaptor-kit

Material
 Polypropylene
 Polypropylene
 FPM , EPDM
 Polypropylene

EUROPE FILTERS - Liquid Filter Systems

Bag Filter Housing Accessories

Well designed EUROPE FILTERS accessories to optimize the filter operation

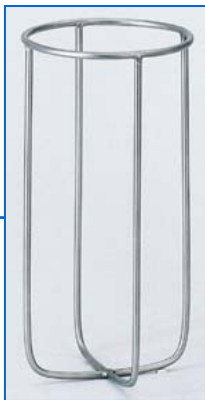
Vent Valve 1/4"



Pressure Gauge 1/4"



Bag Positioner



Bag Positioner with Magnets

Evacuation Balloon



EUROPE FILTERS - Liquid Filter Systems

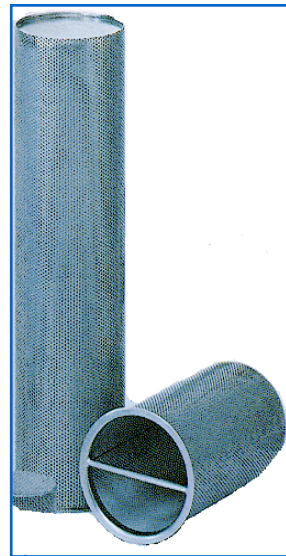
Bag Filter Housing Accessories



Restrainer Basket



Wall Mounting Brackets



Mesh-Strainer



Leg Assemblies

EUROPE FILTERS - Liquid Filter Systems

Filter Bags

Steel, zinc plated, top collar ring
 Easy installation and secure sealing
 Felt material - polyester and polypropylene from 1-200 μ
 Mesh material - nylon monofilament from 50-800 μ
 4 different sizes - 0.09 to 0.5 m² filtration surface



RINGSEAL

Filter Bag

R - PO - 50 - 02

Filter Media/Material

PO = Polypropylene needlefelt
 PE = Polyester needlefelt
 NMO = Nylon monofilament mesh

Filter Bag Size

Code	Surface (m ²)	Size (cm)
03	0.09	ø 10 x 24
04	0.16	ø 10 x 40
01	0.25	ø 18 x 43
02	0.50	ø 18 x 80

Filter Fineness in Micron

Material	1	5	10	25	50	80	100	125	150	200	400	600	800
PO	x	x	x	x	x		x			x			
PE	x	x	x	x	x		x			x			
NMO					x	x	x	x	x	x	x	x	x

Notes:

Max. flow rate for different sizes of filter bags at 1cp and 0,07 bar diff. pressure

SIZE 03 6 m³ / hr
 SIZE 04 12 m³ / hr
 SIZE 01 20 m³ / hr
 SIZE 02 40 m³ / hr

EUROPE FILTERS - Liquid Filter Systems

Filter Bags

Plastic top collar ring ALL WELDED CONSTRUCTION
 Easy installation and best possible sealing
 Felt material - polyester and polypropylene from 1-200 μ
 2 different sizes - 0.25 and 0.50 m² filtration surface



UNIFIT

Filter Bag

U - PO - 50 - 02

Filter Media/Material

PO = Polypropylene needlefelt

PE = Polyester needlefelt

Filter Bag Size

Code	Surface m ²	Size (cm)
01	0.25	ø 18 x 43
02	0.50	ø 18 x 80

Filter Fineness in Micron

Material	1	5	10	25	50	100	200
PO	x	x	x	x	x	x	x
PE	x	x	x	x	x	x	x

Notes:

Max. flow rate for different sizes of filter bags at 1cp and 0,07 bar diff. pressure

SIZE 01 20 m³ / hr

SIZE 02 40 m³ / hr

EUROPE FILTERS - Liquid Filter Systems

Cartridge Filter Housings



SCF/P

Single cartridge
Polypropylene housing
Page...14

SCF/E

Single cartridge
Light weight stainless steel housing
Page...15



MCF/E

Multi cartridge
Light weight stainless steel housing
Page...16

EUROPE FILTERS - Liquid Filter Systems

Cartridge Filter Housings

SCF/P-Series (1-2 m³/h) material Polypropylene
Single cartridge polypropylene filter housing

Easy installation into pipe lines, 3/4" female BSP threaded inlet/outlet
Suitable for DOE (double open ended) cartridges 9³/₄" and 20" length
Ideal for water filtration and OEM-use

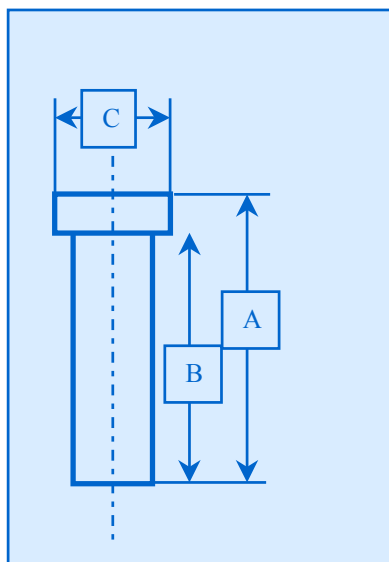


SCF - 1 - 20 - P

no. cartridges	length of cartridge	material of housing
1	9 ³ / ₄ "	P
1	20"	P

Technical Data

SCF	1-09-P	1-20-P
height (mm) A	305	565
diameter (mm) C	122	122
inlet/outlet (inch)	3/4"	3/4"
max. operating pressure (bar)	8.6	8.6
max. operating temp. (°C)	52	52
length of cartridge (mm) B	248	508
o-ring material	BUNA N	
weight of housing (kg)	0.8	2.0



Spare Parts and Accessories for Cartridge Filter housing SCF/P - Series

Spare Parts	Material
Wall mounting bracket	Coated metal
Wrench	Polypropylene
Gaskets	Buna N, FPM

EUROPE FILTERS - Liquid Filter Systems

Cartridge Filter Housings

SCF/E-Series (1-3 m³/h) material 1.4301/SS 304
Single cartridge stainless steel filter housing

Light weight construction, easy to operate central bolt closure
Economical cartridge filter housing
Inlet/outlet 1" female BSP threaded connection
Suitable for DOE (double open ended) cartridges 9³/₄" to 30" length

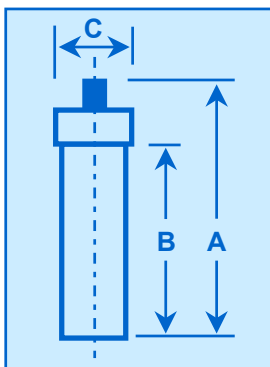


SCF - 1 - 20 - E

no. cartridges	length of cartridge	material of housing
1	9 ³ / ₄ "	stainless steel
1	20"	stainless steel
1	30"	stainless steel

Technical Data

SCF	1-09-E	1-20-E	1-30-E
height (mm) A	349	603	857
diameter (mm) C	105	105	105
inlet/outlet (inch)	1"	1"	1"
max. operating pressure (bar)	17.5	17.5	17.5
max. operating temp. (°C)	120	120	120
length of cartridge (mm) B	278	532	786
number of cartridges	1	1	1
flat gaskets material		BUNA N	
weight of housing (kg)	3.5	4.5	5.5



Spare Parts and Accessories for Cartridge Filter housing SCF-E-Series

Spare Parts	Material
Wall mounting bracket	SS 304
Gaskets	Buna N, FPM
Capnut	SS 304

EUROPE FILTERS - Liquid Filter Systems

Cartridge Filter Housings

MCF/E-Series (5-15 m³/h) material 1.4301/SS 304
Multi cartridge stainless steel filter housing

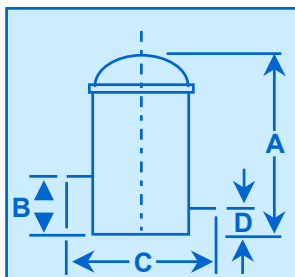
Light weight construction, easy to operate V-clamp closure
Economical cartridge filter housing
Inlet/outlet 2" female BSP threaded connection
Suitable for DOE (double open ended) cartridges 9³/₄" to 30" length



MCF - 520 - E

no. cartridges	length of cartridge	material of housing
5	9 ³ / ₄ "	stainless steel
5	20"	stainless steel
5	30"	stainless steel

Technical Data



MCF	509-E	520-E	530-E
height (mm) A	502	755	1010
diameter (mm) C	267	267	267
distance floor- inlet B	175	175	175
distance floor -outlet D	76	76	76
inlet/outlet (inch)	1.5"	1.5"	1.5"
max. operating pressure (bar)	8.8	8.8	8.8
max. operating temp. (°C)	120	120	120
length of cartridge (mm)	248	508	744
number of cartridges	5	5	5
o-ring material		BUNA N	
weight of housing (kg)	13	16	19

Spare Parts for Cartridge Filter housing MCF/E - Series

Spare Parts	Material
V-clamp	SS 304
Gaskets	Buna, FPM
Cartridge seat	SS 304
Center rod + spring cap	SS 304

EUROPE FILTERS - Liquid Filter Systems

Filter Cartridges

UFC/W-Series

String wound - versatile and low cost
 Polypropylene yarn depth filter element
 Polypropylene core, one piece construction
 Length of cartridges 9¾"-40"
 Nominal micron rating from 1-150 µm



UFC/W - 9 - P - P - 1

length of cartridge (inch)	material of yarn and core	nominal micron rate (µm)
9¾, 10, 19½, 20 29¼, 30, 39, 40	Poly- propylene	1, 3, 5, 10 25, 50, 75, 100, 150

UFC/R-Series

Phenolic resin bonded
 Acrylic - long staple fiber depth filter element
 Coreless, one piece construction
 Length of cartridge 9¾"-40"
 Nominal micron ratings from 2 -150 µm



UFC/R - 9 - A - 2

length of cartridge (inch)	material of fiber	nominal micron rate (µm)
9¾, 10, 19½, 20, 29¼, 30, 39, 40	Acryl	2, 5, 10, 25, 50, 75, 125, 150

EUROPE FILTERS - Liquid Filter Systems

Filter Cartridges

UFC/SP-Series

Melt-blown - excellent chemical resistance
 Polypropylene fiber filter element
 Coreless - free of binding agent
 Length of cartridges 9³/₄"-40"
 Nominal micron rating from 1-75 µm



UFC/SP - 9 - P - 1

length of cartridge (inch)	material of fiber	nominal micron rating (µm)
9 ³ / ₄ , 10, 19 ¹ / ₂ , 20, 29 ¹ / ₄ , 30, 39, 40	Polypropylene melt-blown	1, 3, 5, 10, 20, 30, 50, 75

UFC/A-Series

Extruded activated carbon - adsorption DOE filter element
 Excellent adsorption capacity
 Construction does not release activated carbon into the filtrate
 Length of cartridge 9³/₄" - 30"
 Micron ratings from 1 - 10 µm



UFC/A - 9 - E - 1

length of cartridge (inch)	material of filter element	nominal micron rate
9 ³ / ₄ , 20, 30	extruded activated carbon	1 = 1 µm 2 = 5 µm 3 = 10 µm

Process Data:

max. flow rate	8 l/min (each 10")
diff. pressure (clean)	0.05-0.1 bar
max. pressure drop	7 bar
max. operating temp.	52 °C

EUROPE FILTERS Zwaantjeslei, 18 BE-2170 Antwerpen

tel +32(0)3 644 32 22 – fax+32(0)3 644 32 12 - E-Mail info@europefilters.be

www.europefilters.be

Spare Parts	Material
Restrainer basket	Polypropylene
Bag hold down	Polypropylene
Gaskets	FPM , EPDM
Cartridge adapter kit	Polypropylene

